

# AQUA V03



## TECHNICAL SPECIFICATIONS

GENERAL		
Technology	Patented	
Maximum load	≤36W. (Stand-by ≤1W)	
Rated Impulse voltage	12 V DC	
Ingress Protection Rating	IP54	
Hydraulic connections	1/2" M-GAS	
Weight	1,5 kg	
TEMPERATURE	MINIMUM	MAXIMUM
Recommended input hot water range	48 °C	65 °C
Recommended input cold water range	5 °C	28 °C
Maximum inlet temperature	65 °C *(1)	
Minimum inlet temperature	>0 °C	
Mixed range	Full Cold – 44 °C *(2)	
PRESSURE		
Maximum dynamic	6 bar (0.6Mpa)	
Minimum dynamic	1,5 bar (0.15Mpa)	
Recommended dynamic	3 bar (0.3Mpa)	
Maximum differential supply	4.5 bar (0.45Mpa)	
Burst	>30 bar (3.5Mpa) *(3)	
FLOW RATE (3 bar)	MINIMUM	MAXIMUM
Mixed water free flow 1 Outlet	6 L/min	23 L/min
Full Cold or Hot water free flow 1 Outlet	6 L/min	16,2 L/min
Mixed water free flow 2 Outlets	6 L/min	29,5 L/min
Full Cold or Hot water free flow 2 Outlets	6 L/min	16,2 L/min

## DESCRIPTION

Smart electronic device with digital reading and accurate, stable, thermostatic regulation of water temperature and flow rate at the point of use with connectivity. Designed to be integrated in showers with 3 outlets. Includes diverter with 3 outlets.

## FEATURING

- Thermostatic control
- Flow static control
- Automatic start-up
- Pause
- Control up to 3 outlets (Up to 2 outlets at the same time)
- Shower parameters setup
  - Max. Min. water temperature
  - Max. Min. flow rate
  - Time of use
  - Time of pause
- Special functions
  - Warmup shower
  - Do not disturb
  - Lighting scenes
  - Intelligent Bath fill mode
- Maintenance functions
  - Thermal disinfection
  - Impurity cleaning process
- Consumption parameters Reading and control
  - Hot and cold temperature (inlets) & mixed (outlet)
  - Hot and cold flow rate (inlets) & mixed (outlet)
  - Water volume (cold, hot, mixed)
  - Time of use
- Maintenance alarms and error diagnosis
  - Cold and hot water leakage
  - Cold and hot water failure
  - Hot water temperature low
  - Cold water temperature high
  - Sensor malfunction
  - Special function error
  - Maintenance function error

\*(1) Up to 80 °C less than 20 min

\*(2) Configurable up to Full Hot on OEM demand

\*(3) Modifiable for 35bar (3.5Mpa)

# AQUA V03

## STANDARDS

### ELECTRIC STANDARDS

EMC: EN 55014-1, EN 55014-2  
 SAFETY: EN 60335-1  
 RoHS: IEC 63000

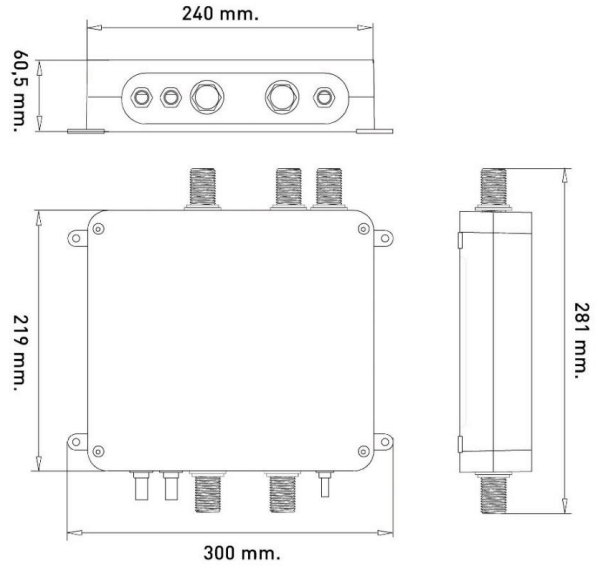
### HYDRAULIC STANDARD

QB2806-2017  
 EN-817  
 EN-1111  
 ASME #112.18.1  
 ASSE #1016-T

### SANITARY STANDARDS

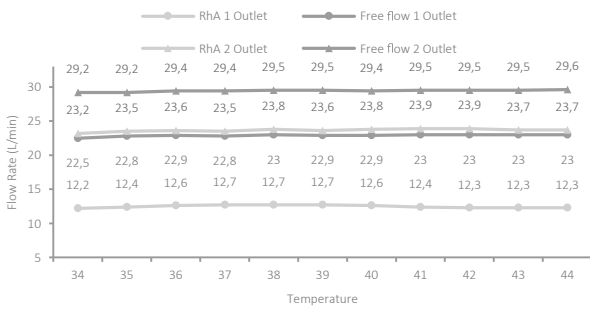
ACS  
 KTW/W270  
 WRAS  
 NSF61 (Ready for)

## TECHNICAL DIMENTIONS



## FLOW RATE DETAIL

### MAX FLOW RATE vs TEMPERATURE (3 BAR DN13)



### MIX FLOW RATE vs PRESSURE (DN13)

